

Waterline
126,000 SF | Austin, Texas

FORM METAL SYSTEMS

 ***VISTA I***

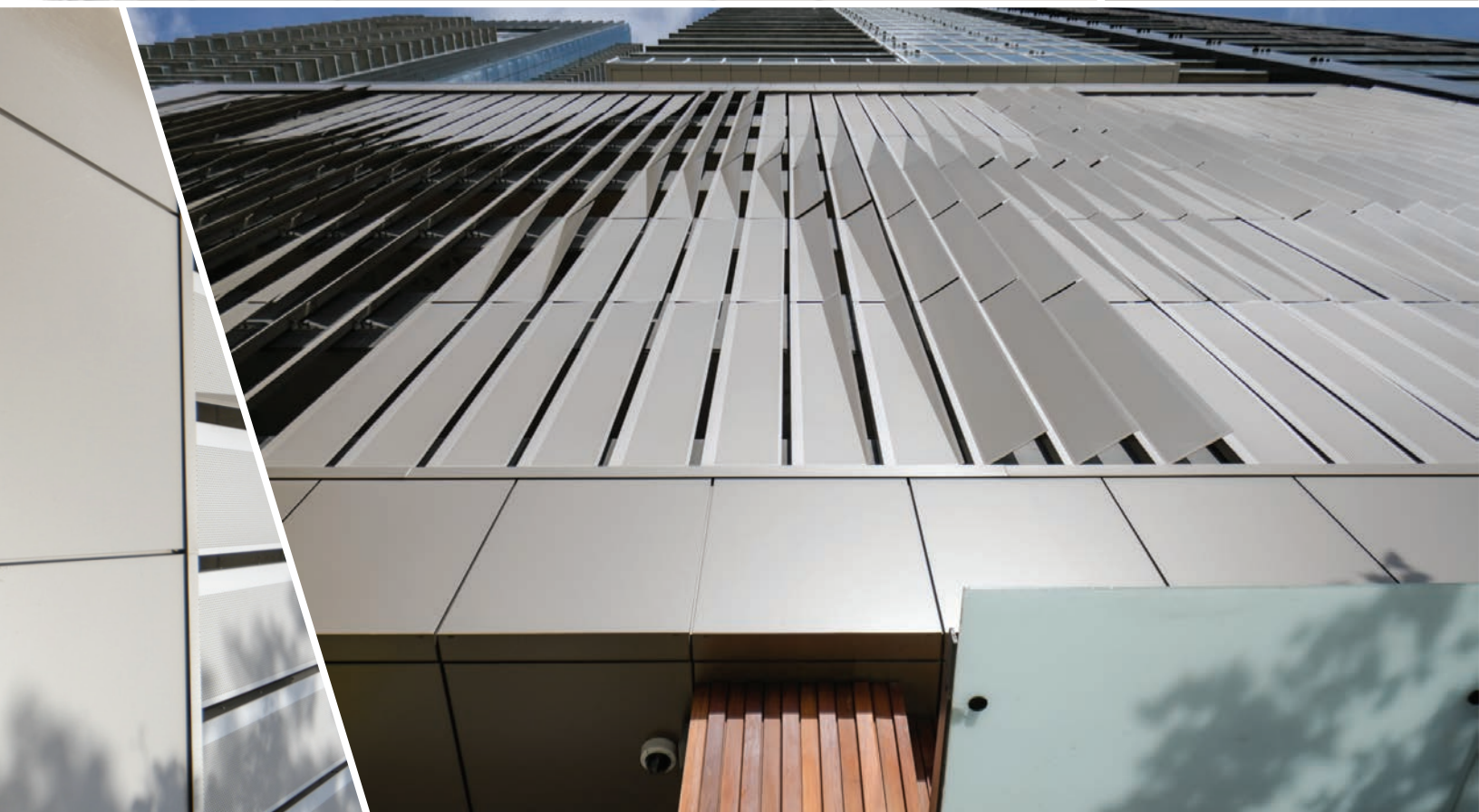


INDUSTRY LEADING TECHNOLOGY.



Vista I is a tested pressure-equalized rainscreen system that features a simple interlocking panel design, enabling installation on a variety of substrates. Made entirely of aluminum, the system is non-combustible and requires no additional sealants, gaskets, or tape.

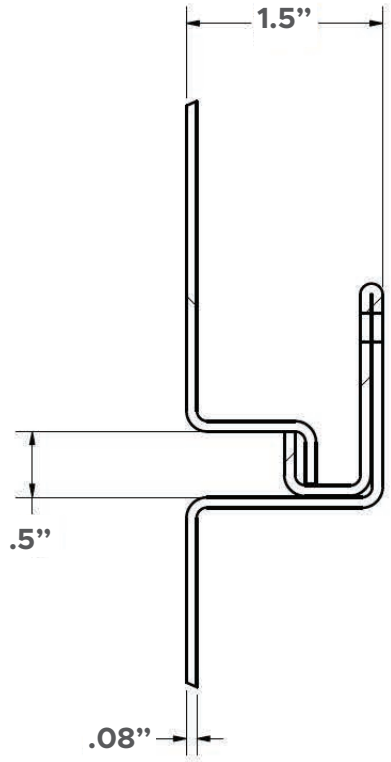
APPLICATIONS	THE DETAILS
<p>Exterior Wall Exterior Soffit Interior Applications Column Covers Panels can be Perforated or Laser Cut</p>	<p>Aluminum (5052-H32) .080" (other available) Less than 2 Lbs / SF Weight Wide Variety of Panel Orientations Low Maintenance Durable Made in the USA Wide Variety of Color and Finish Options</p>
COLORS & FINISHES	SYSTEM CHARACTERISTICS
<p>Painted Fluoropolymer (AAMA 2605 & 2604) Powder Coated (AAMA 2605 & 2604) Anodized Specialty: – Wood Look – Stone Look – Corten</p>	<p>1 1/2" Nominal Depth 1/2" Nominal Standard Panel Joints Fasteners Concealed from View Custom Panel Sizing Available upon Request Formed Corners & Columns Available upon Request Automated Fabrication which Allows for: – Improved Part Productions and Quality – Smaller Environmental Footprint – Increased Production Output</p>
TESTING	SHEET OPTIONS
<p>AAMA 508-21 ASTM E 283 ASTM E 1233 ASTM E 331 AAMA 501.1-17 Dynamic ASTM E 330</p>	<p>48" Width – Max Length Recommended 48" 42" Width – Max Length Recommended 60" 36" Width – Max Length Recommended 72" 30" Width – Max Length Recommended 84" 24" Width – Max Length Recommended 96" 18" Width – Max Length Recommended 96" 9" Width – Max Length Recommended 96" Contact for More Information on Panel Lengths</p>



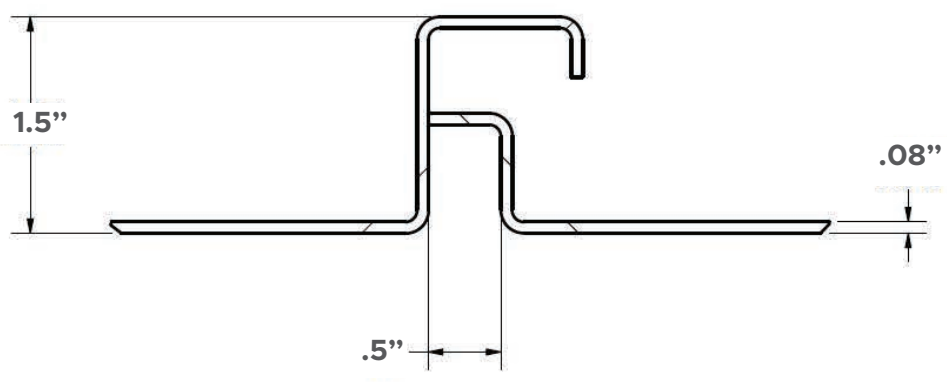
FORM

VISTA I

VERTICAL JOINT



HORIZONTAL JOINT





PALUXY HALL

FORM

METAL THAT SHAPES THE FUTURE.

CONTACT

info@formmetal.com

1775 Hurd Drive
Irving, Texas 75038

FORMMETAL.COM