

COSM at Grandescape
12,000 SF | The Colony, Texas

FORM

METAL SYSTEMS

 **cosm**

 **VISTA II**



UNLOCKED POTENTIAL.



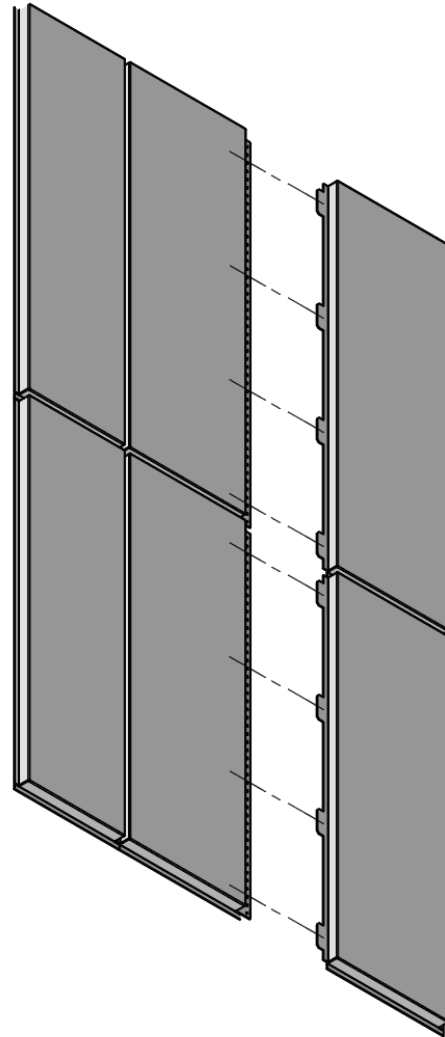
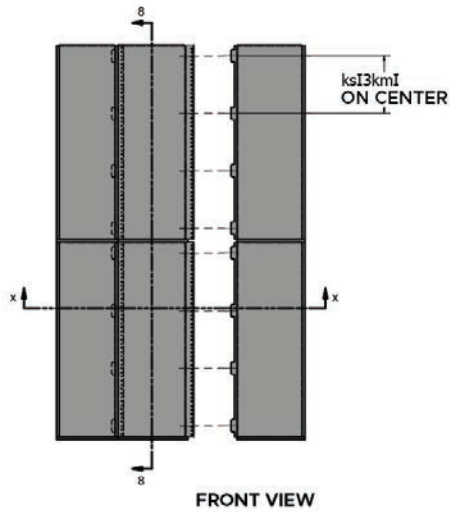
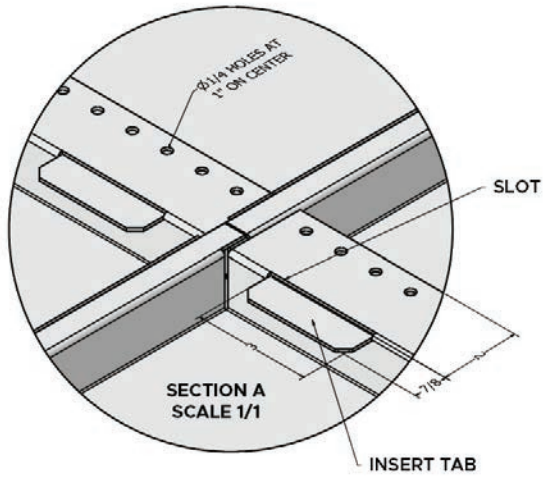
Vista II builds on the proven performance of Vista I, offering the same pressure-equalized rainscreen design with an emphasis on efficiency and cost savings.

Featuring a simplified interlocking panel system, Vista II allows for quick installation on a variety of substrates, reducing both installation time and costs. Made entirely of aluminum, it remains non-combustible and requires no additional sealants, gaskets, or tape, making it an economical choice with a nearly identical appearance to the original.

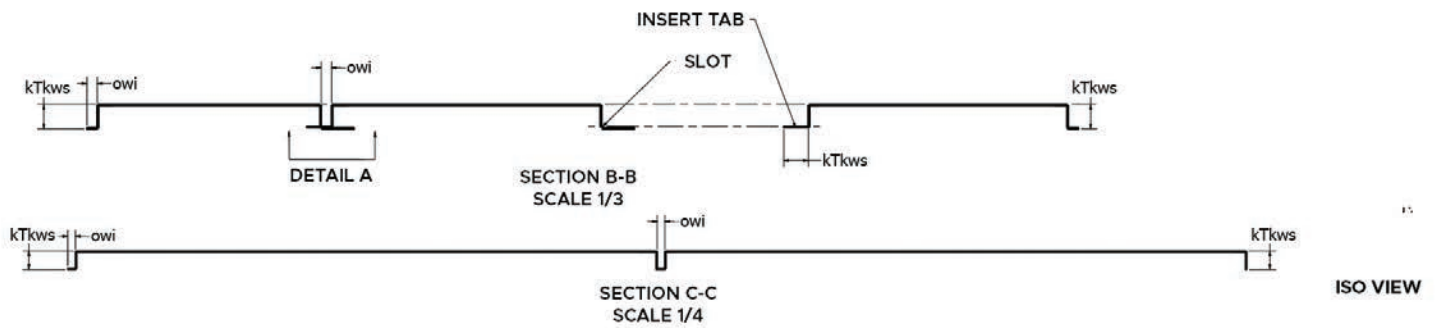
APPLICATIONS	THE DETAILS
<p>Exterior Wall Exterior Soffit Interior Applications Column Covers Panels can be Perforated or Laser Cut</p>	<p>Aluminum (5052-H32) .080" (other available) Less than 2 Lbs / SF Weight Wide Variety of Panel Orientations Low Maintenance Durable Made in the USA Wide Variety of Color and Finish Options</p>
COLORS & FINISHES	SYSTEM CHARACTERISTICS
<p>Painted Fluoropolymer (AAMA 2605 & 2604) Powder Coated (AAMA 2605 & 2604) Anodized Specialty: - Wood Look - Stone Look - Corten</p>	<p>1 1/2" Nominal Depth 1/2" Nominal Standard Panel Joints Fasteners Concealed from View Custom Panel Sizing Available upon Request Formed Corners & Columns Available upon Request Automated Fabrication which Allows for: - Improved Part Productions and Quality - Smaller Environmental Footprint - Increased Production Output</p>
TESTING	SHEET OPTIONS
<p>AAMA 508-21 ASTM E 283 ASTM E 1233 ASTM E 331 AAMA 501.1-17 Dynamic ASTM E 330</p>	<p>48" Width - Max Length Recommended 48" 42" Width - Max Length Recommended 60" 36" Width - Max Length Recommended 72" 30" Width - Max Length Recommended 84" 24" Width - Max Length Recommended 96" 18" Width - Max Length Recommended 96" 9" Width - Max Length Recommended 96" Contact for More Information on Panel Lengths</p>



SYSTEM DETAILS



15





COSM at Grandscape
12,000 SF | The Colony, Texas

FORM

METAL THAT SHAPES THE FUTURE.

CONTACT

214.449.5667 Ext. 101
info@formmetal.com

1775 Hurd Drive
Irving, Texas 75038

FORMMETAL.COM