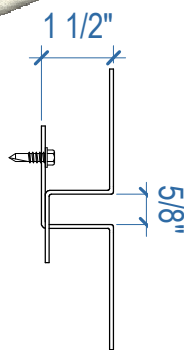
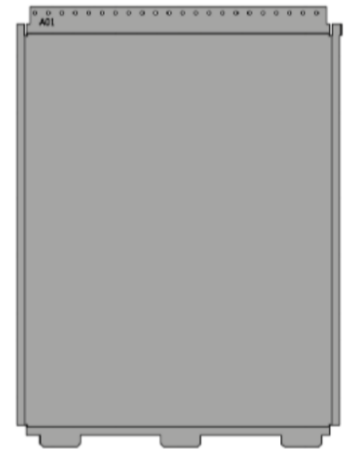


VERTICAL JOINT



HORIZONTAL JOINT



1 VISTA II SYSTEM - TYPICAL VERTICAL & HORIZONTAL JOINT
D00 3" = 1'-0"

THE INFORMATION CONTAINED IN THIS DRAWING IS THE SOLE PROPERTY OF FORM ANY REPRODUCTION, IN PART OR WHOLE, WITHOUT THE WRITTEN PERMISSION OF FORM IS PROHIBITED.

FORM

METAL SYSTEMS

1775 HURD DR. IRVING, TEXAS 75038
PH (214) 499-5667 / FAX (214) 434-1855

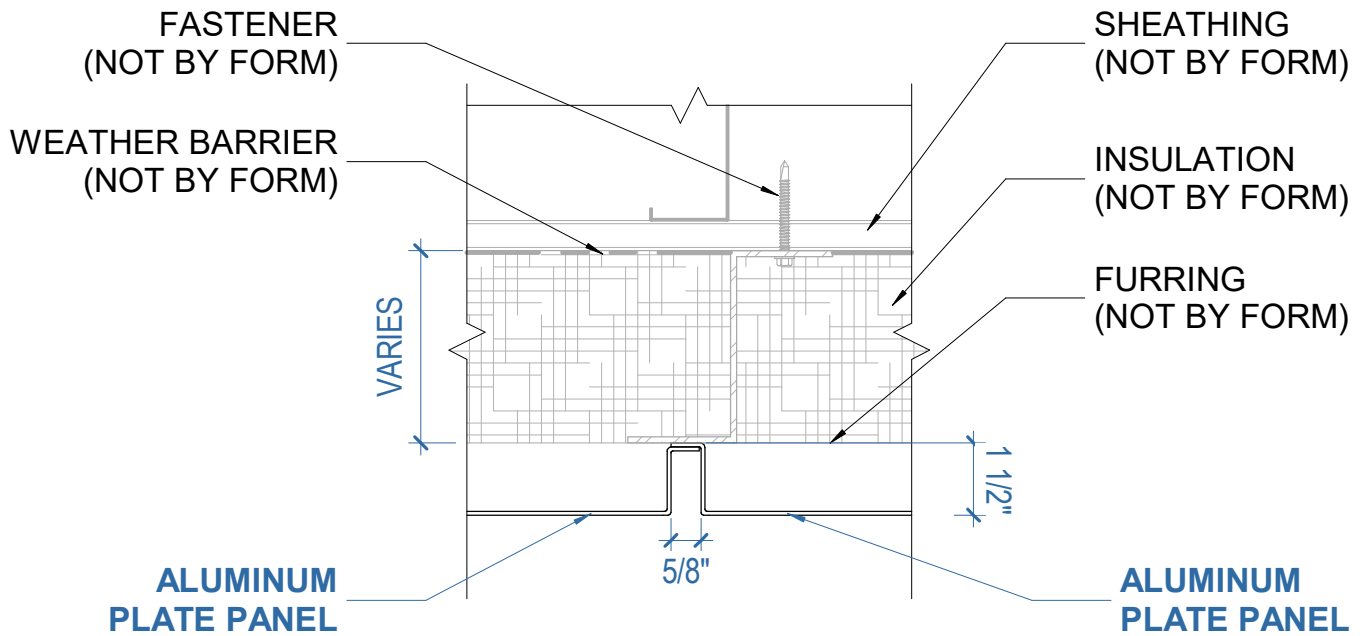
FORM - VISTA II SYSTEM TYPICAL DETAILS

SCALE: 3" = 1'-0"

05/07/2025

www.formmetal.com

D00



1 VISTA II SYSTEM - TYPICAL VERTICAL JOINT
D01 3" = 1'-0"

THE INFORMATION CONTAINED IN THIS DRAWING IS THE SOLE PROPERTY OF FORM ANY REPRODUCTION, IN PART OR WHOLE, WITHOUT THE WRITTEN PERMISSION OF FORM IS PROHIBITED.

FORM

METAL SYSTEMS

1775 HURD DR. IRVING, TEXAS 75038
PH (214) 499-5667 / FAX (214) 434-1855

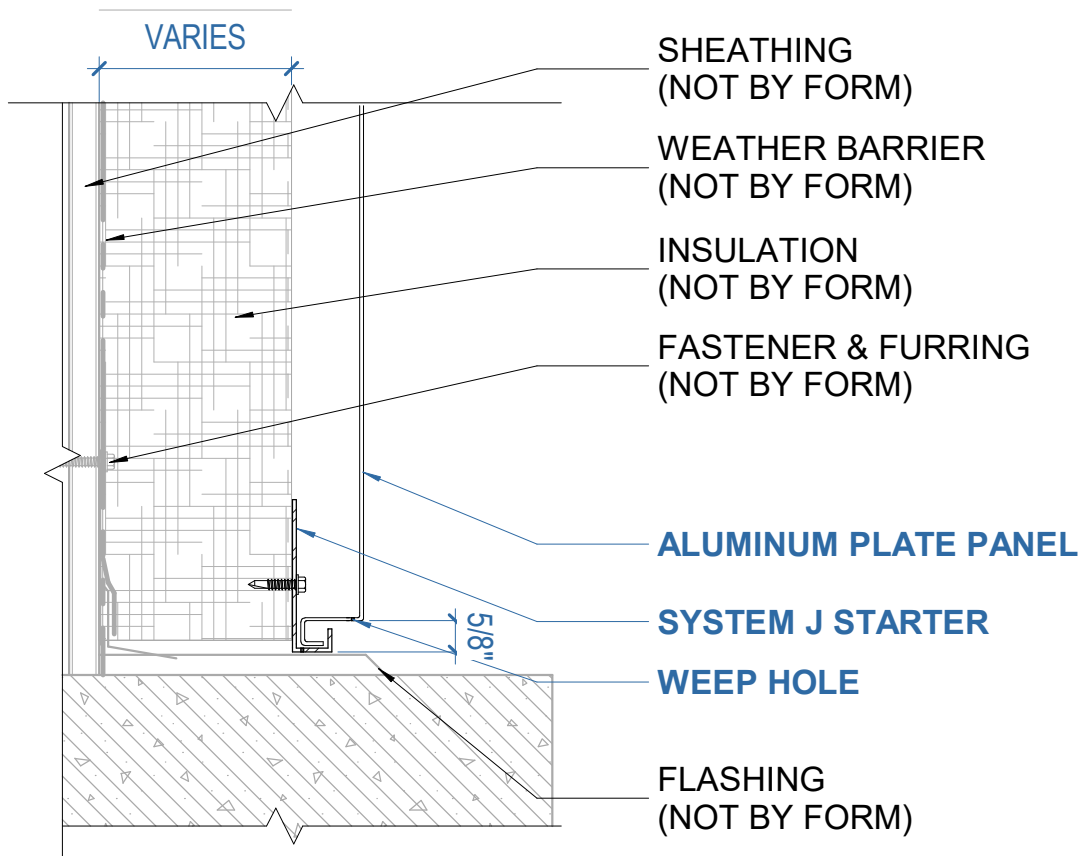
FORM - VISTA II SYSTEM TYPICAL DETAILS

SCALE: 3" = 1'-0"

05/07/2025

www.formmetal.com

D01



1 VISTA II SYSTEM - TYPICAL HORIZONTAL START
 D02 3" = 1'-0"

THE INFORMATION CONTAINED IN THIS DRAWING IS THE SOLE PROPERTY OF FORM ANY REPRODUCTION, IN PART OR WHOLE, WITHOUT THE WRITTEN PERMISSION OF FORM IS PROHIBITED.

FORM

METAL SYSTEMS

1775 HURD DR. IRVING, TEXAS 75038
 PH (214) 499-5667 / FAX (214) 434-1855

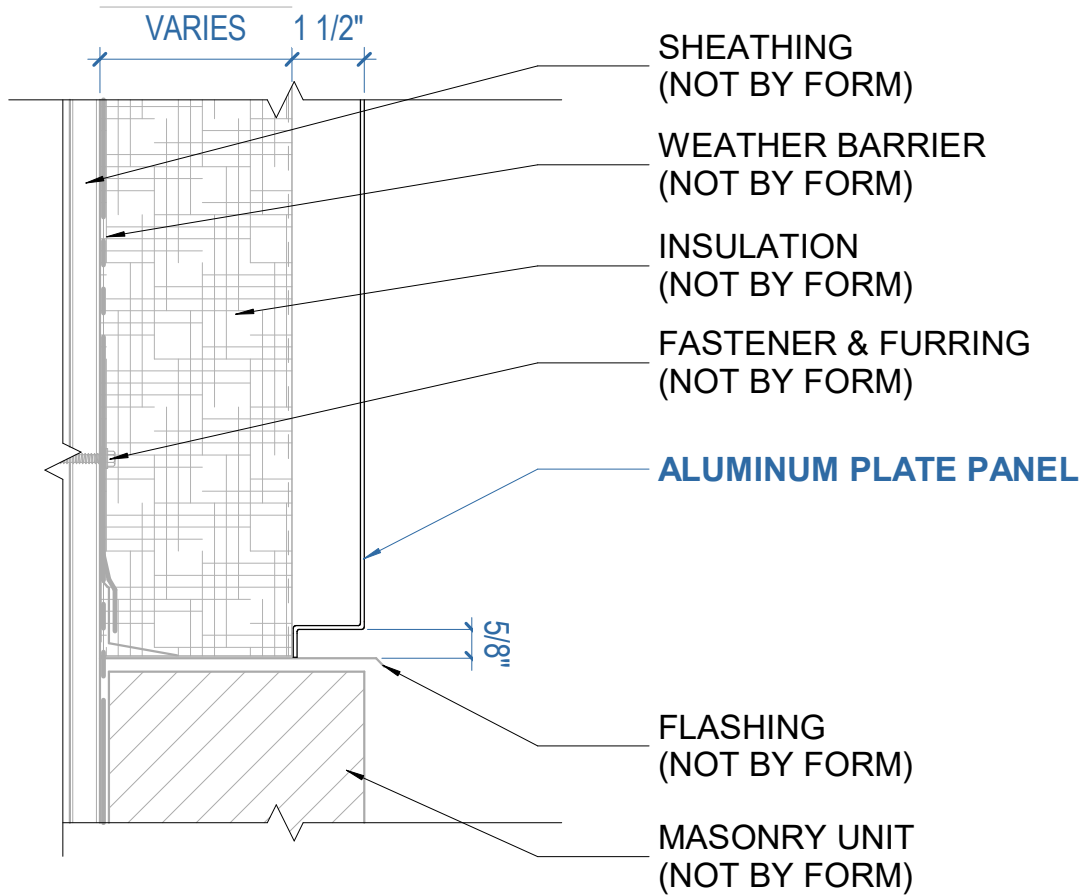
FORM - VISTA II SYSTEM TYPICAL DETAILS

SCALE: 3" = 1'-0"

05/07/2025

www.formmetal.com

D02



1 VISTA II SYSTEM - TYPICAL HORIZONTAL START @ TOP OF WALL
 D03 3" = 1'-0"

BASE CONDITION WHEN FURRING RUNNING HORIZONTALLY

THE INFORMATION CONTAINED IN THIS DRAWING IS THE SOLE PROPERTY OF FORM ANY REPRODUCTION, IN PART OR WHOLE, WITHOUT THE WRITTEN PERMISSION OF FORM IS PROHIBITED.



1775 HURD DR. IRVING, TEXAS 75038
 PH (214) 499-5667 / FAX (214) 434-1855

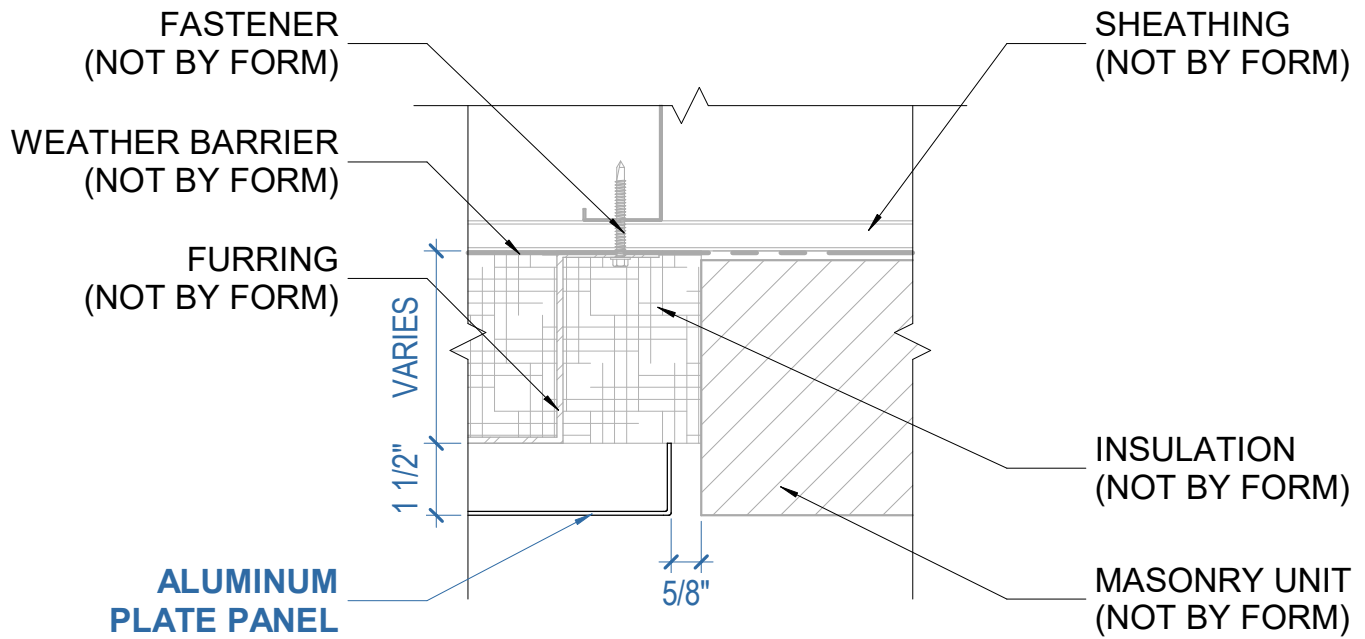
FORM - VISTA II SYSTEM TYPICAL DETAILS

SCALE: 3" = 1'-0"

05/07/2025

www.formmetal.com

D03



1 VISTA II SYSTEM - TYPICAL VERTICAL TERMINATION 1
 D04 3" = 1'-0"

THE INFORMATION CONTAINED IN THIS DRAWING IS THE SOLE PROPERTY OF FORM ANY REPRODUCTION, IN PART OR WHOLE, WITHOUT THE WRITTEN PERMISSION OF FORM IS PROHIBITED.

FORM

METAL SYSTEMS

1775 HURD DR. IRVING, TEXAS 75038
 PH (214) 499-5667 / FAX (214) 434-1855

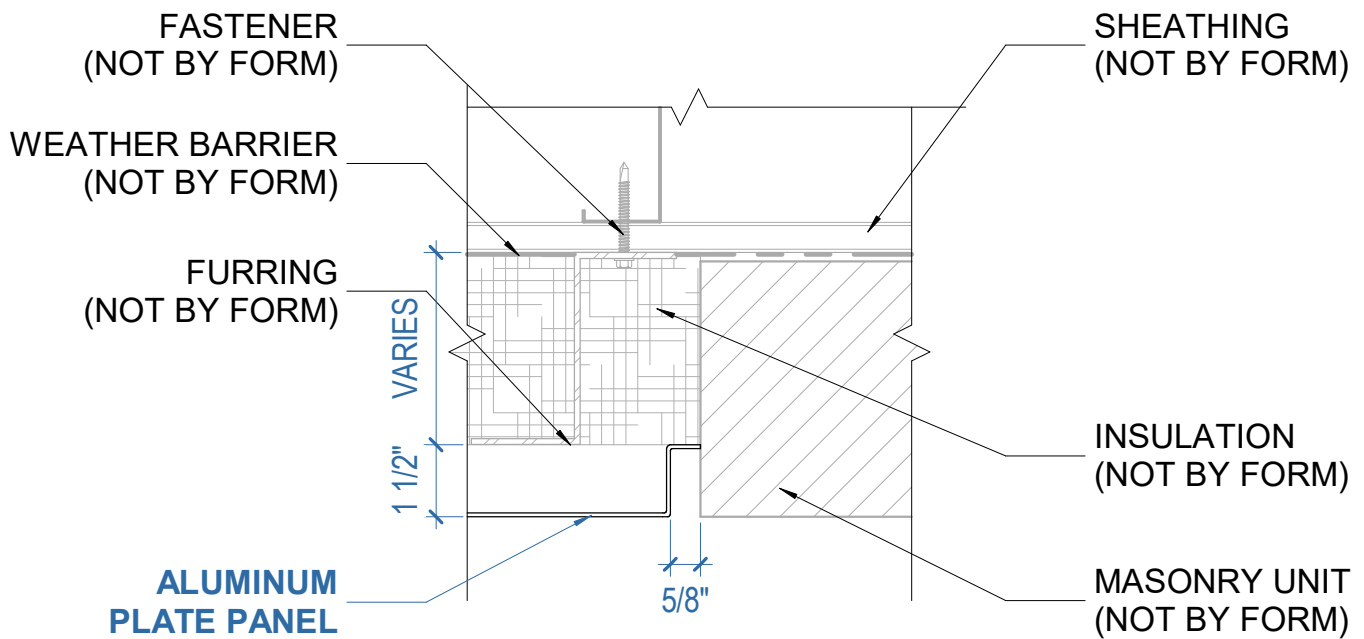
FORM - VISTA II SYSTEM TYPICAL DETAILS

SCALE: 3" = 1'-0"

05/07/2025

www.formmetal.com

D04



1 VISTA II SYSTEM - TYPICAL VERTICAL TERMINATION 2
 D05 3" = 1'-0"

THE INFORMATION CONTAINED IN THIS DRAWING IS THE SOLE PROPERTY OF FORM ANY REPRODUCTION, IN PART OR WHOLE, WITHOUT THE WRITTEN PERMISSION OF FORM IS PROHIBITED.

FORM

METAL SYSTEMS

1775 HURD DR. IRVING, TEXAS 75038
 PH (214) 499-5667 / FAX (214) 434-1855

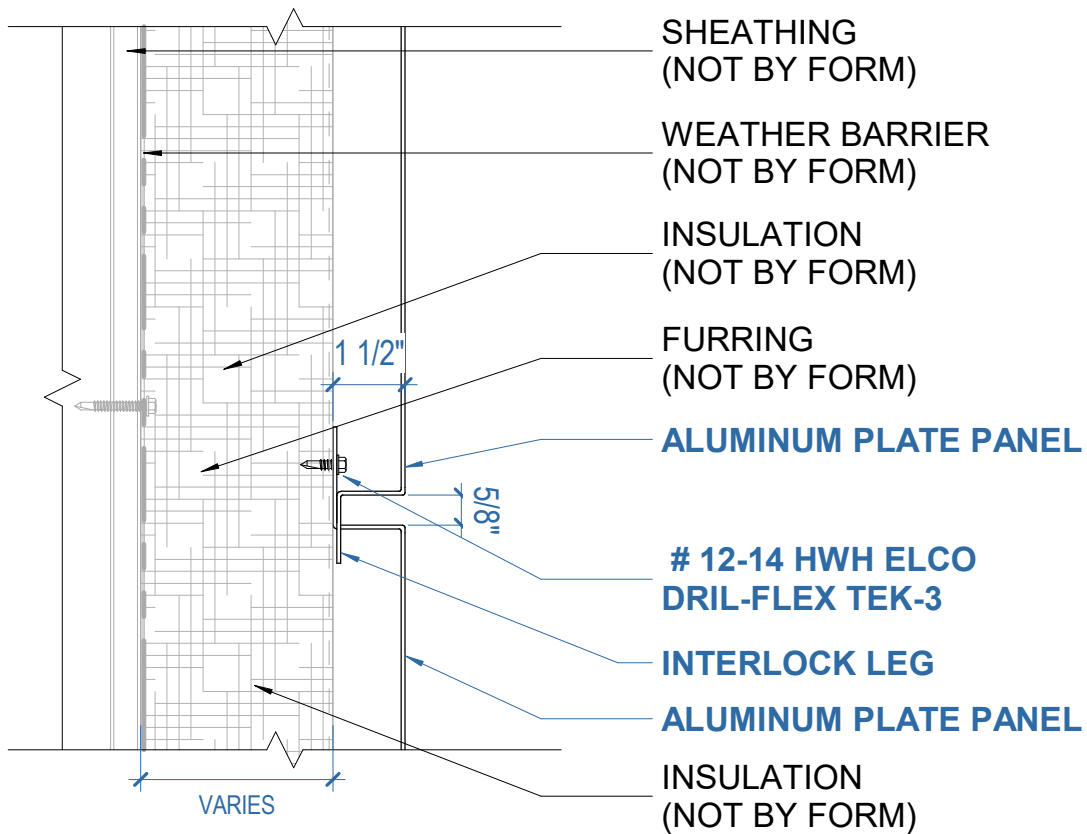
FORM - VISTA II SYSTEM TYPICAL DETAILS

SCALE: 3" = 1'-0"

05/07/2025

www.formmetal.com

D05



1 VISTA II SYSTEM - TYPICAL HORIZONTAL JOINT
 D06 3" = 1'-0"

THE INFORMATION CONTAINED IN THIS DRAWING IS THE SOLE
 PROPERTY OF FORM ANY REPRODUCTION, IN PART OR WHOLE,
 WITHOUT THE WRITTEN PERMISSION OF FORM IS PROHIBITED.

FORM
 METAL SYSTEMS

1775 HURD DR. IRVING, TEXAS 75038
 PH (214) 499-5667 / FAX (214) 434-1855

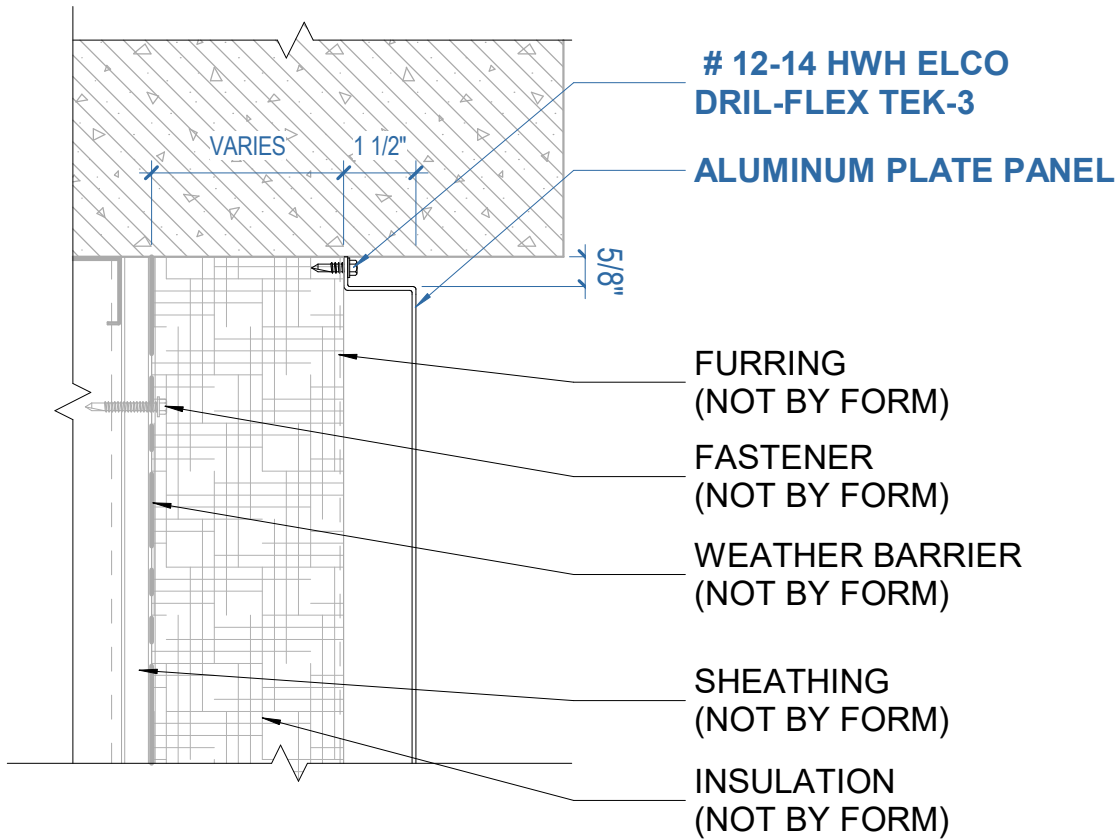
FORM - VISTA II SYSTEM TYPICAL DETAILS

SCALE: 3" = 1'-0"

05/07/2025

www.formmetal.com

D06



1 VISTA II SYSTEM - TYPICAL HORIZONTAL TERMINATION
D07 3" = 1'-0"

THE INFORMATION CONTAINED IN THIS DRAWING IS THE SOLE PROPERTY OF FORM ANY REPRODUCTION, IN PART OR WHOLE, WITHOUT THE WRITTEN PERMISSION OF FORM IS PROHIBITED.

FORM

METAL SYSTEMS

1775 HURD DR. IRVING, TEXAS 75038
PH (214) 499-5667 / FAX (214) 434-1855

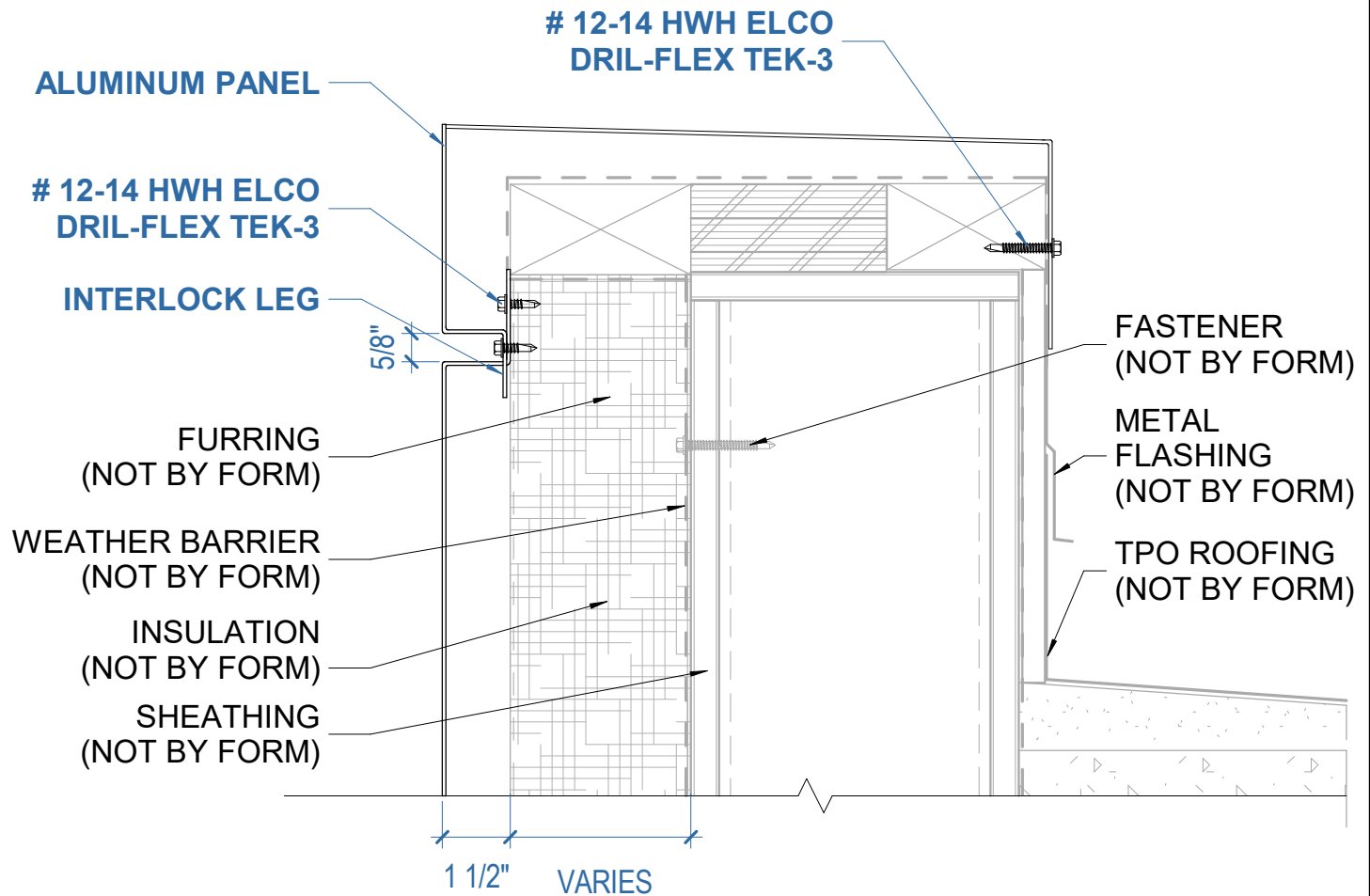
FORM - VISTA II SYSTEM TYPICAL DETAILS

SCALE: 3" = 1'-0"

05/07/2025

www.formmetal.com

D07



1 VISTA II SYSTEM - TYPICAL COPING PANEL
 D08 3" = 1'-0"

THE INFORMATION CONTAINED IN THIS DRAWING IS THE SOLE PROPERTY OF FORM ANY REPRODUCTION, IN PART OR WHOLE, WITHOUT THE WRITTEN PERMISSION OF FORM IS PROHIBITED.

FORM

METAL SYSTEMS

1775 HURD DR. IRVING, TEXAS 75038
 PH (214) 499-5667 / FAX (214) 434-1855

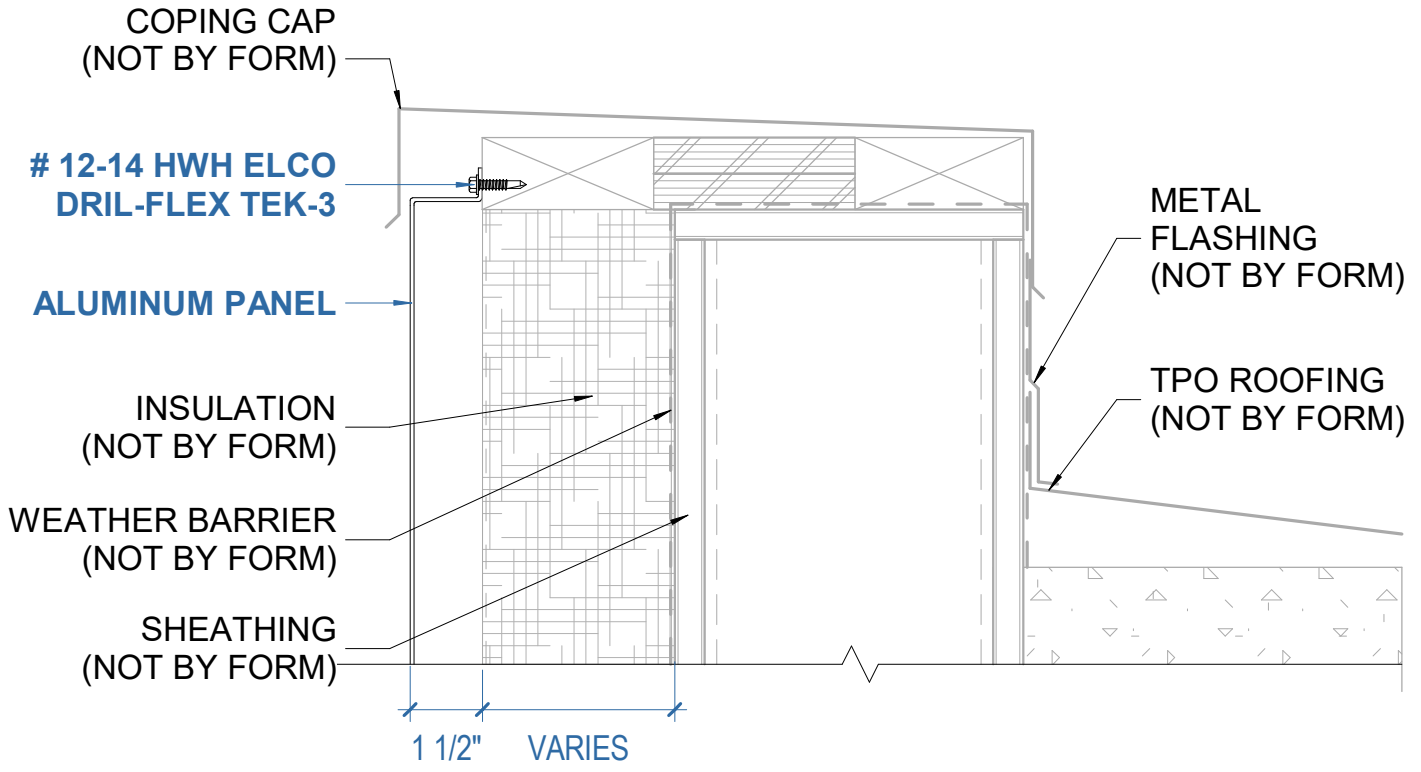
FORM - VISTA II SYSTEM TYPICAL DETAILS

SCALE: 3" = 1'-0"

05/07/2025

www.formmetal.com

D08



1 VISTA II SYSTEM - TYPICAL PANEL TERMINATION @ COPING BY OTHERS
 D09 3" = 1'-0"

THE INFORMATION CONTAINED IN THIS DRAWING IS THE SOLE PROPERTY OF FORM ANY REPRODUCTION, IN PART OR WHOLE, WITHOUT THE WRITTEN PERMISSION OF FORM IS PROHIBITED.



1775 HURD DR. IRVING, TEXAS 75038
 PH (214) 499-5667 / FAX (214) 434-1855

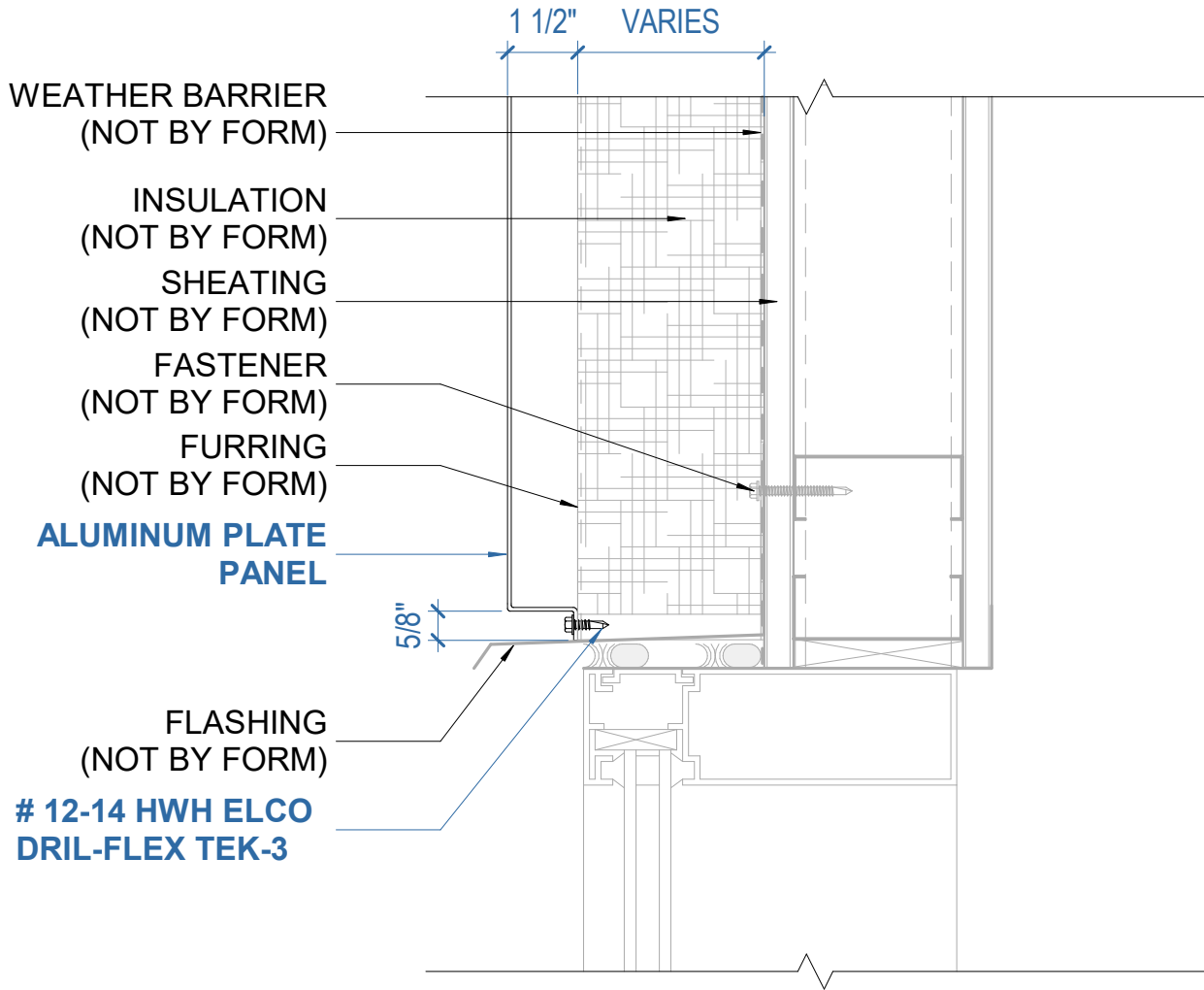
FORM - VISTA II SYSTEM TYPICAL DETAILS

SCALE: 3" = 1'-0"

05/07/2025

www.formmetal.com

D09



1 VISTA II SYSTEM - TYPICAL WINDOW HEADER
 D10 3" = 1'-0"

THE INFORMATION CONTAINED IN THIS DRAWING IS THE SOLE PROPERTY OF FORM ANY REPRODUCTION, IN PART OR WHOLE, WITHOUT THE WRITTEN PERMISSION OF FORM IS PROHIBITED.



1775 HURD DR. IRVING, TEXAS 75038
 PH (214) 499-5667 / FAX (214) 434-1855

FORM - VISTA II SYSTEM TYPICAL DETAILS

SCALE: 3" = 1'-0"

05/07/2025

www.formmetal.com

D10

FLASHING
(NOT BY FORM)

12-14 HWH ELCO
DRIL-FLEX TEK-3

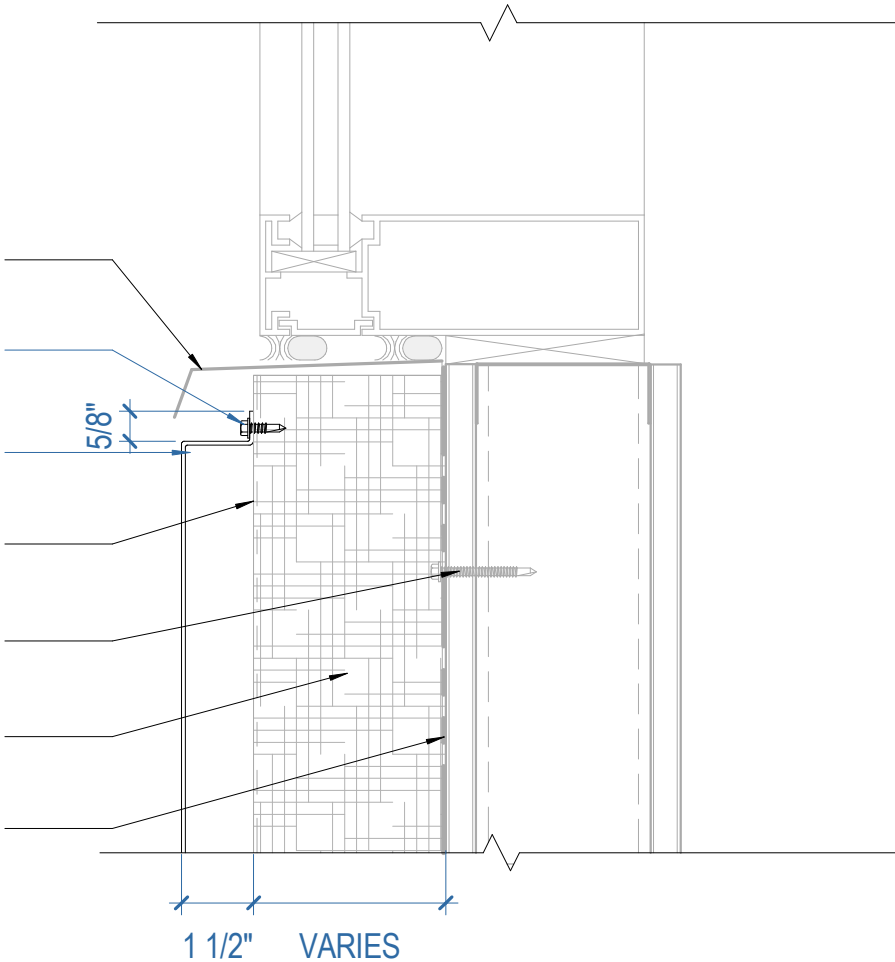
ALUMINUM PLATE
PANEL

FURRING
(NOT BY FORM)

FASTENER
(NOT BY FORM)

INSULATION
(NOT BY FORM)

WEATHER BARRIER
(NOT BY FORM)



1 VISTA II SYSTEM - TYPICAL WINDOW SILL
D11 3" = 1'-0"

THE INFORMATION CONTAINED IN THIS DRAWING IS THE SOLE PROPERTY OF FORM ANY REPRODUCTION, IN PART OR WHOLE, WITHOUT THE WRITTEN PERMISSION OF FORM IS PROHIBITED.

FORM

METAL SYSTEMS
1775 HURD DR. IRVING, TEXAS 75038
PH (214) 499-5667 / FAX (214) 434-1855

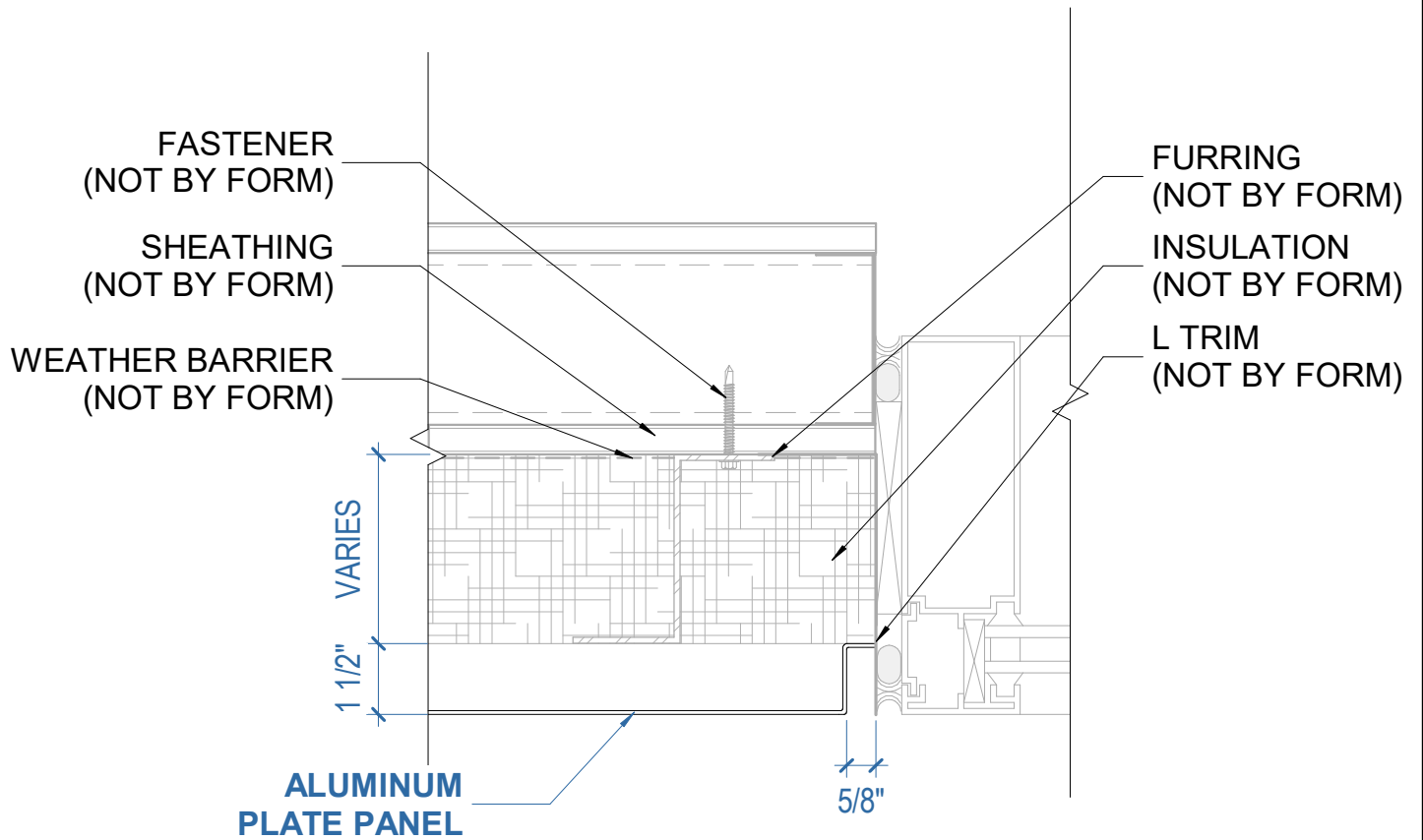
FORM - VISTA II SYSTEM TYPICAL DETAILS

SCALE: 3" = 1'-0"

05/07/2025

www.formmetal.com

D11



1 VISTA II SYSTEM - TYPICAL WINDOW JAMB TERMINATION 1
 D12 3" = 1'-0"

THE INFORMATION CONTAINED IN THIS DRAWING IS THE SOLE PROPERTY OF FORM ANY REPRODUCTION, IN PART OR WHOLE, WITHOUT THE WRITTEN PERMISSION OF FORM IS PROHIBITED.

FORM

METAL SYSTEMS

1775 HURD DR. IRVING, TEXAS 75038
 PH (214) 499-5667 / FAX (214) 434-1855

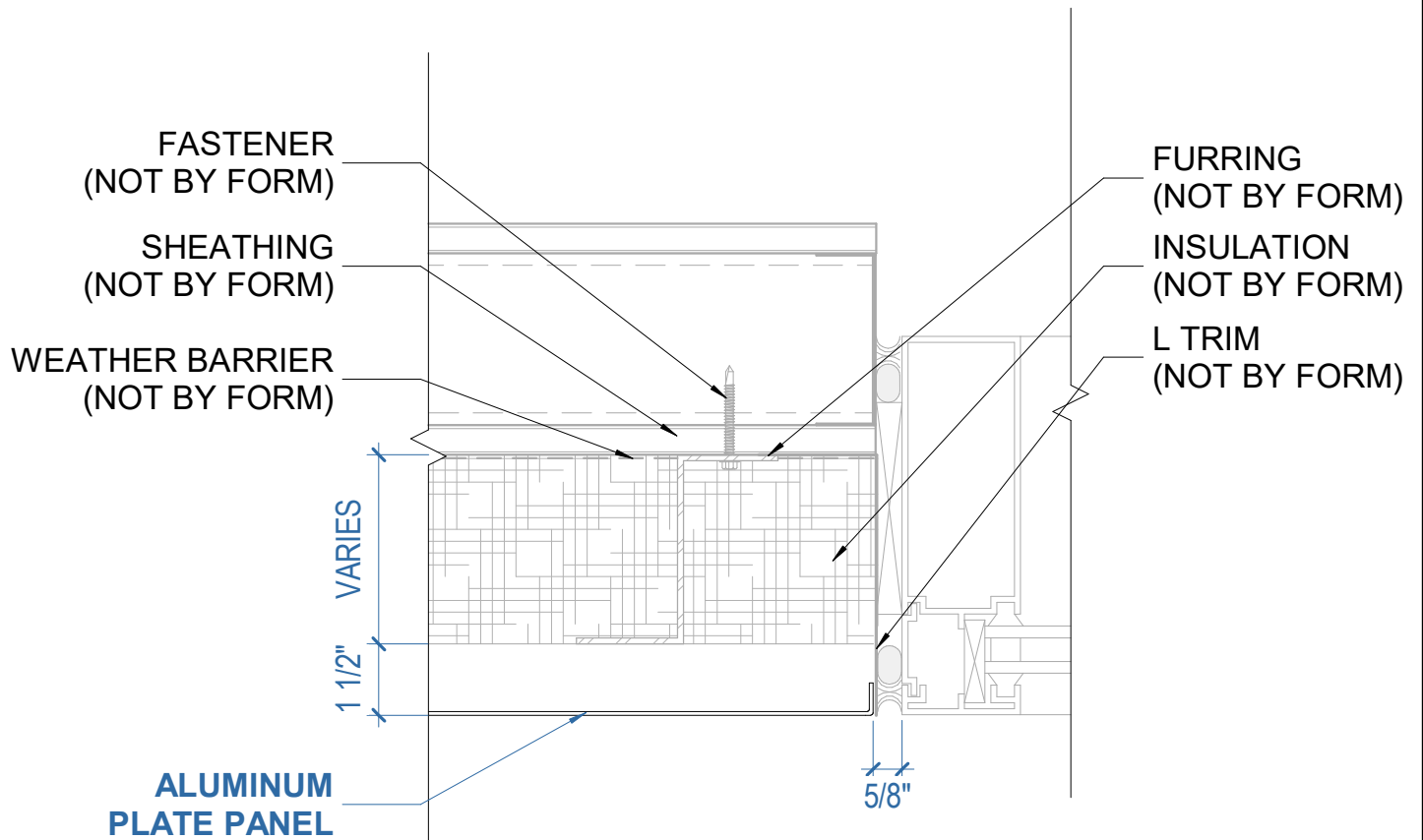
FORM - VISTA II SYSTEM TYPICAL DETAILS

SCALE: 3" = 1'-0"

05/07/2025

www.formmetal.com

D12



1
D13

VISTA II SYSTEM - TYPICAL WINDOW JAMB TERMINATION 2

3" = 1'-0"

THE INFORMATION CONTAINED IN THIS DRAWING IS THE SOLE PROPERTY OF FORM ANY REPRODUCTION, IN PART OR WHOLE, WITHOUT THE WRITTEN PERMISSION OF FORM IS PROHIBITED.

FORM

METAL SYSTEMS

1775 HURD DR. IRVING, TEXAS 75038
PH (214) 499-5667 / FAX (214) 434-1855

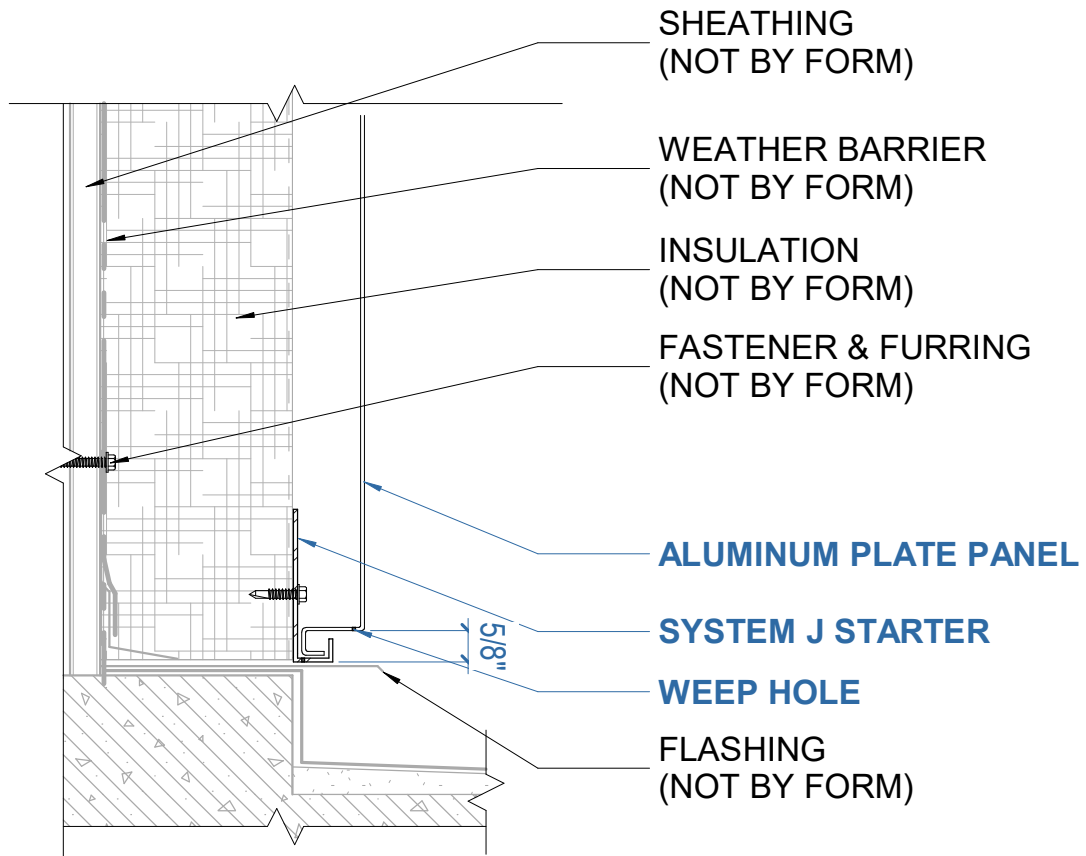
FORM - VISTA II SYSTEM TYPICAL DETAILS

SCALE: 3" = 1'-0"

05/07/2025

www.formmetal.com

D13



1 VISTA II SYSTEM - TYPICAL HORIZONTAL START @ TERRACE
 D14 3" = 1'-0"

THE INFORMATION CONTAINED IN THIS DRAWING IS THE SOLE
 PROPERTY OF FORM ANY REPRODUCTION, IN PART OR WHOLE,
 WITHOUT THE WRITTEN PERMISSION OF FORM IS PROHIBITED.

FORM

METAL SYSTEMS

1775 HURD DR. IRVING, TEXAS 75038
 PH (214) 499-5667 / FAX (214) 434-1855

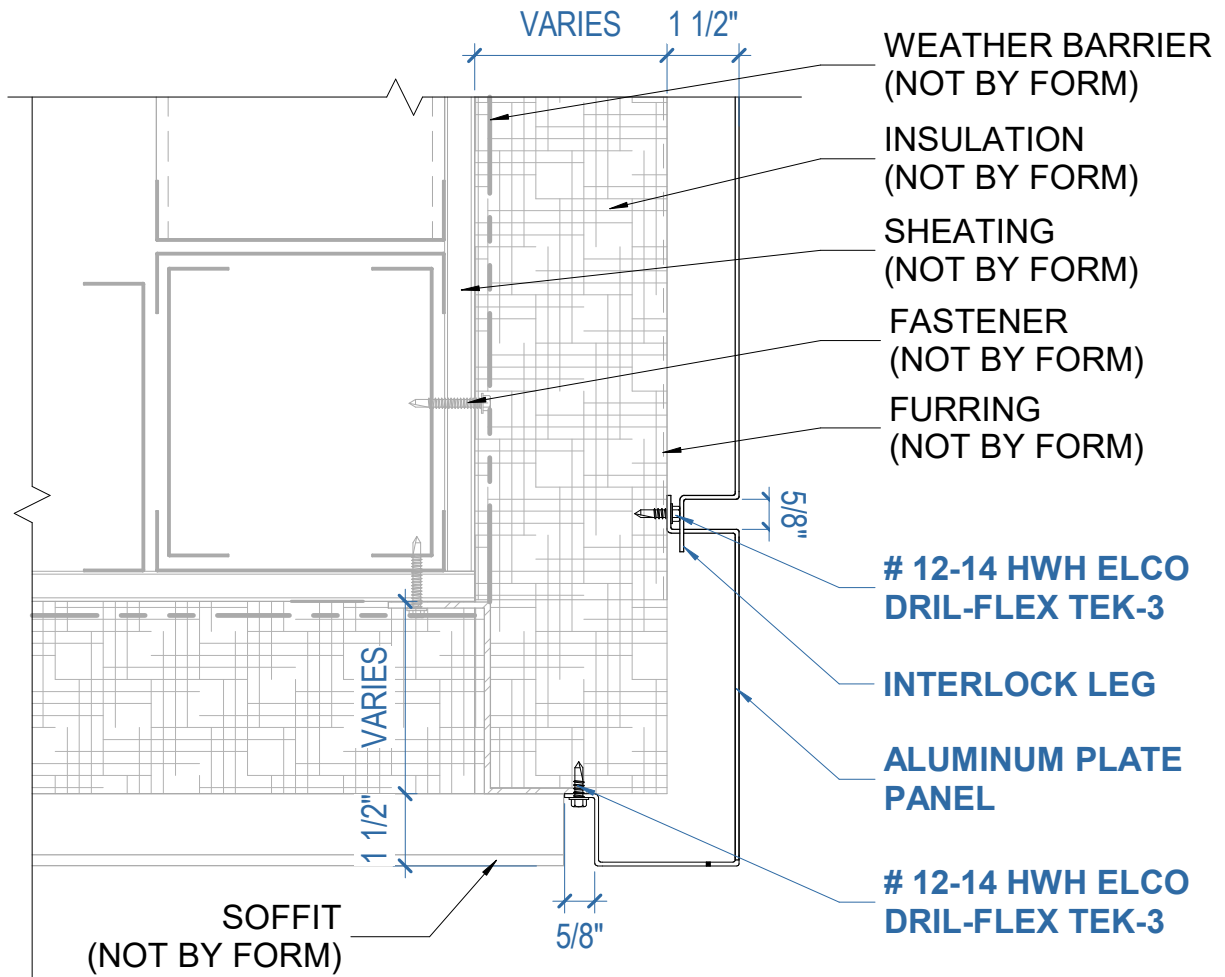
FORM - VISTA II SYSTEM TYPICAL DETAILS

SCALE: 3" = 1'-0"

05/07/2025

www.formmetal.com

D14



1 VISTA II SYSTEM - TYPICAL SOFFIT TRANSITION
 D15 3" = 1'-0"

THE INFORMATION CONTAINED IN THIS DRAWING IS THE SOLE PROPERTY OF FORM ANY REPRODUCTION, IN PART OR WHOLE, WITHOUT THE WRITTEN PERMISSION OF FORM IS PROHIBITED.

FORM

METAL SYSTEMS

1775 HURD DR. IRVING, TEXAS 75038
 PH (214) 499-5667 / FAX (214) 434-1855

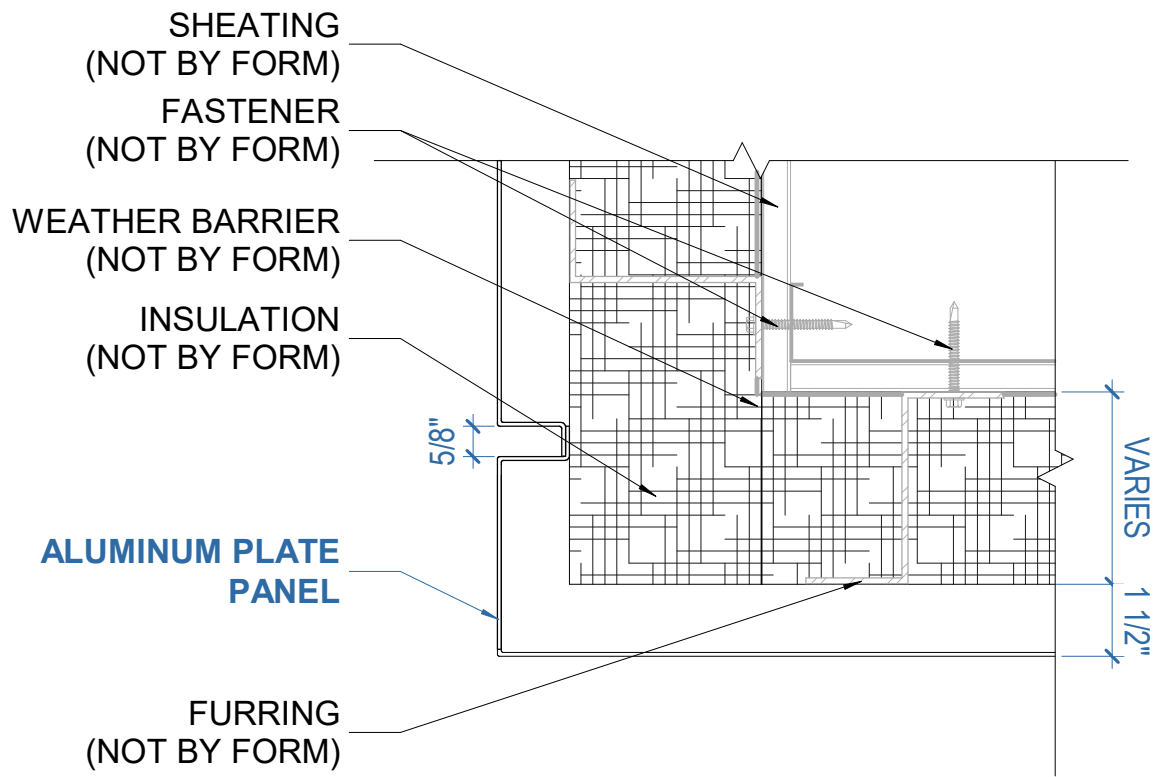
FORM - VISTA II SYSTEM TYPICAL DETAILS

SCALE: 3" = 1'-0"

05/07/2025

www.formmetal.com

D15



1 VISTA II SYSTEM - TYPICAL VERTICAL CORNER
 D16 3" = 1'-0"

THE INFORMATION CONTAINED IN THIS DRAWING IS THE SOLE PROPERTY OF FORM ANY REPRODUCTION, IN PART OR WHOLE, WITHOUT THE WRITTEN PERMISSION OF FORM IS PROHIBITED.



1775 HURD DR. IRVING, TEXAS 75038
 PH (214) 499-5667 / FAX (214) 434-1855

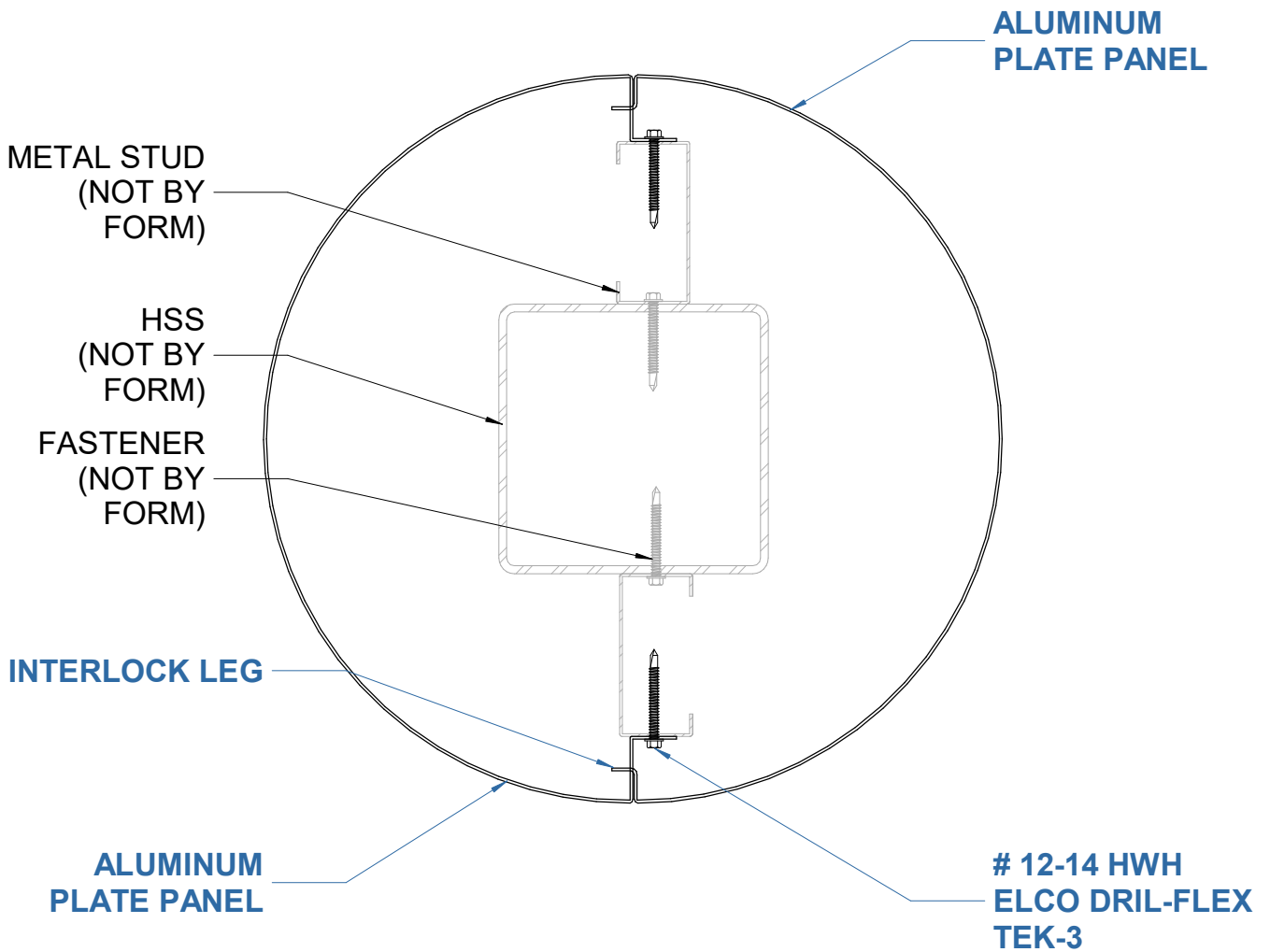
FORM - VISTA II SYSTEM TYPICAL DETAILS

SCALE: 3" = 1'-0"

05/07/2025

www.formmetal.com

D16



1 VISTA II SYSTEM - TYPICAL CIRCULAR COLUMN COVER
D17 3" = 1'-0"

THE INFORMATION CONTAINED IN THIS DRAWING IS THE SOLE PROPERTY OF FORM ANY REPRODUCTION, IN PART OR WHOLE, WITHOUT THE WRITTEN PERMISSION OF FORM IS PROHIBITED.

FORM

METAL SYSTEMS

1775 HURD DR. IRVING, TEXAS 75038
PH (214) 499-5667 / FAX (214) 434-1855

FORM - VISTA II SYSTEM TYPICAL DETAILS

SCALE: 3" = 1'-0"

05/07/2025

www.formmetal.com

D17

ALUMINUM
PLATE PANEL

METAL STUD
(NOT BY
FORM)

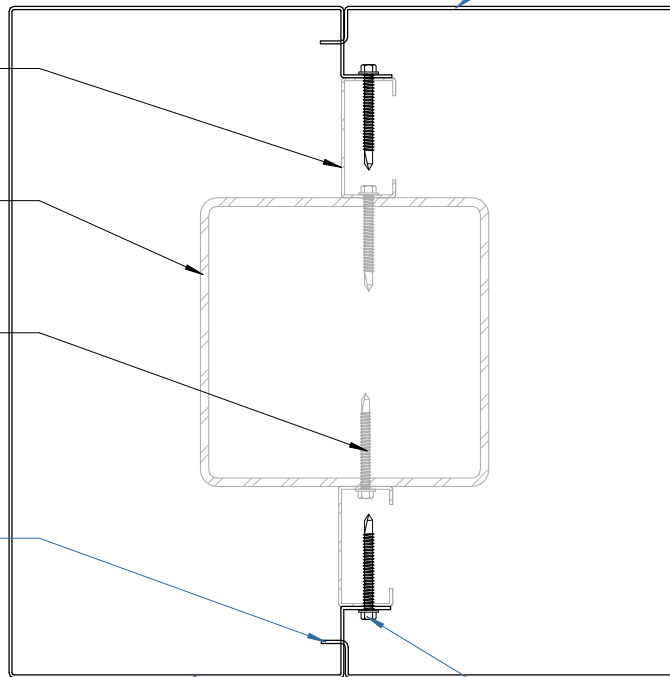
HSS
(NOT BY
FORM)

FASTENER
(NOT BY
FORM)

INTERLOCK LEG

ALUMINUM
PLATE PANEL

12-14 HWH
ELCO DRIL-FLEX
TEK-3



1 VISTA II SYSTEM - TYPICAL RECTANGULAR COLUMN COVER
D18 3" = 1'-0"

THE INFORMATION CONTAINED IN THIS DRAWING IS THE SOLE
PROPERTY OF FORM ANY REPRODUCTION, IN PART OR WHOLE,
WITHOUT THE WRITTEN PERMISSION OF FORM IS PROHIBITED.

FORM

METAL SYSTEMS

1775 HURD DR. IRVING, TEXAS 75038
PH (214) 499-5667 / FAX (214) 434-1855

FORM - VISTA II SYSTEM TYPICAL DETAILS

SCALE: 3" = 1'-0"

05/07/2025

www.formmetal.com

D18